

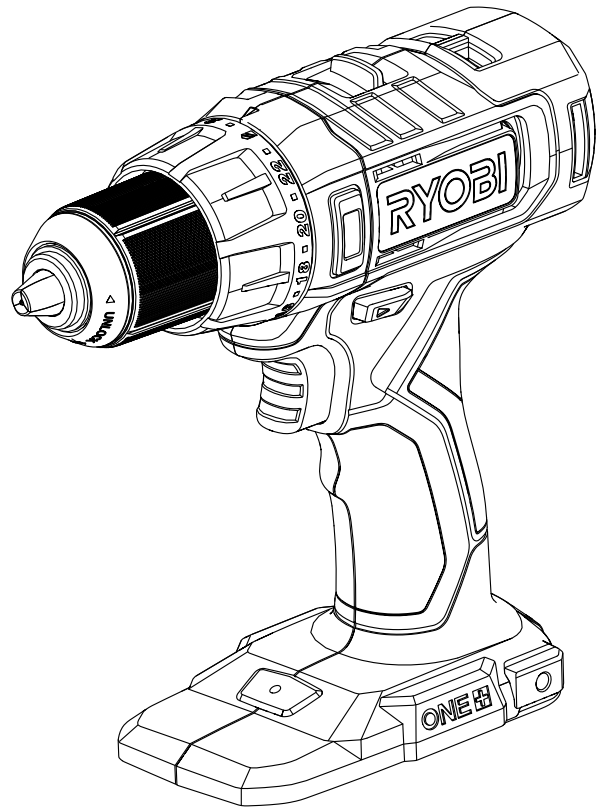


# OPERATOR'S MANUAL

## MANUEL D'UTILISATION MANUAL DEL OPERADOR

### 18 VOLT 1/2 in. 2-SPEED DRILL-DRIVER

### 18 V 13 mm (1/2 po) PERCEUSE-TOURNEVIS 2 VITESSES TALADRO-DESTORNILLADOR de 18 V 13 mm (1/2 pulg.) 2 VELOCIDADES PCL206



EN MEXICO:  
PARA MÁS INFORMACIÓN  
[WWW.RYOBITOOLS.MX](http://WWW.RYOBITOOLS.MX)  
CENTROS DE SERVICIO  
800-843-1111



#### TABLE OF CONTENTS

\*\*\*\*\*

- General Power Tool Safety Warnings..... 2-3
- Drill-Driver Safety Warnings..... 4
- Symbols..... 5
- Assembly..... 6
- Operation..... 6-8
- Maintenance..... 8
- Illustrations..... 9
- Parts Ordering and Service..... Back page

#### TABLE DES MATIÈRES

\*\*\*\*\*

- Avertissements de sécurité générales relatives aux outils électriques..... 2-3
- Avertissements de sécurité relatifs perceuse-tournevis..... 4
- Symboles..... 5
- Assemblage..... 6
- Utilisation..... 6-8
- Entretien..... 8
- Illustrations..... 9
- Commande de pièces et dépannage..... Page arrière

#### ÍNDICE DE CONTENIDO

\*\*\*\*\*

- Advertencias de seguridad para herramientas eléctrica..... 2-3
- Advertencias de seguridad de taladro-destornillador..... 4
- Símbolos..... 5
- Armado..... 6
- Funcionamiento..... 6-8
- Mantenimiento..... 8
- Ilustraciones..... 9
- Pedidos de piezas y servicio..... Pág. posterior

**⚠ WARNING:** To reduce the risk of injury, the user must read and understand the operator's manual before using this product.

**⚠ AVERTISSEMENT :** Pour réduire les risques de blessures, l'utilisateur doit lire et veiller à bien comprendre le manuel d'utilisation avant d'employer ce produit.

**⚠ ADVERTENCIA:** Para reducir el riesgo de lesiones, el usuario debe leer y comprender el manual del operador antes de usar este producto.

**SAVE THIS MANUAL FOR  
FUTURE REFERENCE**

**CONSERVER CE MANUEL  
POUR FUTURE RÉFÉRENCE**

**GUARDE ESTE MANUAL  
PARA FUTURAS CONSULTAS**

# GENERAL POWER TOOL SAFETY WARNINGS



## WARNING

**Read all safety warnings, instructions, illustrations and specifications provided with this power tool.** Failure to follow all instructions listed below may result in electric shock, fire and/or serious injury.

**Save all warnings and instructions for future reference.** The term “power tool” in the warnings refers to your mains-operated (corded) power tool or battery-operated (cordless) power tool.

## WORK AREA SAFETY

- **Keep work area clean and well lit.** Cluttered or dark areas invite accidents.
- **Do not operate power tools in explosive atmospheres, such as in the presence of flammable liquids, gases or dust.** Power tools create sparks which may ignite the dust or fumes.
- **Keep children and bystanders away while operating a power tool.** Distractions can cause you to lose control.

## ELECTRICAL SAFETY

- **Power tool plugs must match the outlet. Never modify the plug in any way. Do not use any adapter plugs with earthed (grounded) power tools.** Unmodified plugs and matching outlets will reduce risk of electric shock.
- **Avoid body contact with earthed or grounded surfaces, such as pipes, radiators, ranges and refrigerators.** There is an increased risk of electric shock if your body is earthed or grounded.
- **Do not expose power tools to rain or wet conditions.** Water entering a power tool will increase the risk of electric shock.
- **Do not abuse the cord. Never use the cord for carrying, pulling or unplugging the power tool. Keep cord away from heat, oil, sharp edges or moving parts.** Damaged or entangled cords increase the risk of electric shock.
- **When operating a power tool outdoors, use an extension cord suitable for outdoor use.** Use of a cord suitable for outdoor use reduces the risk of electric shock.
- **If operating a power tool in a damp location is unavoidable, use a ground fault circuit interrupter (GFCI) protected supply.** Use of a GFCI reduces the risk of electric shock.
- **Use this product only with batteries and chargers listed in tool/appliance/battery pack/charger correlation supplement 987000-432.**

## PERSONAL SAFETY

- **Stay alert, watch what you are doing and use common sense when operating a power tool. Do not use a power tool while you are tired or under the influence of drugs, alcohol or medication.** A moment of inattention while operating power tools may result in serious personal injury.
- **Use personal protective equipment. Always wear eye protection.** Protective equipment such as dust mask, non-skid safety shoes, hard hat or hearing protection used for appropriate conditions will reduce personal injuries.
- **Prevent unintentional starting. Ensure the switch is in the off-position before connecting to power source and/or battery pack, picking up or carrying the tool.** Carrying power tools with your finger on the switch or energizing power tools that have the switch on invites accidents.
- **Remove any adjusting key or wrench before turning the power tool on.** A wrench or a key left attached to a rotating part of the power tool may result in personal injury.
- **Do not overreach. Keep proper footing and balance at all times.** This enables better control of the power tool in unexpected situations.
- **Dress properly. Do not wear loose clothing or jewelry. Keep your hair and clothing away from moving parts.** Loose clothes, jewelry or long hair can be caught in moving parts.
- **If devices are provided for the connection of dust extraction and collection facilities, ensure these are connected and properly used.** Use of dust collection can reduce dust-related hazards.
- **Do not let familiarity gained from frequent use of tools allow you to become complacent and ignore tool safety principles.** A careless action can cause severe injury within a fraction of a second.
- **Do not wear loose clothing or jewelry.** Contain long hair. Loose clothes, jewelry, or long hair can be drawn into air vents.
- **Do not use on a ladder or unstable support.** Stable footing on a solid surface enables better control of the power tool in unexpected situations.

# GENERAL POWER TOOL SAFETY WARNINGS

## POWER TOOL USE AND CARE

- **Do not force the power tool. Use the correct power tool for your application.** The correct power tool will do the job better and safer at the rate for which it was designed.
- **Do not use the power tool if the switch does not turn it on and off.** Any power tool that cannot be controlled with the switch is dangerous and must be repaired.
- **Disconnect the plug from the power source and/or remove the battery pack, if detachable, from the power tool before making any adjustments, changing accessories, or storing power tools.** Such preventive safety measures reduce the risk of starting the power tool accidentally.
- **Store idle power tools out of the reach of children and do not allow persons unfamiliar with the power tool or these instructions to operate the power tool.** Power tools are dangerous in the hands of untrained users.
- **Maintain power tools and accessories. Check for misalignment or binding of moving parts, breakage of parts and any other condition that may affect the power tool's operation. If damaged, have the power tool repaired before use.** Many accidents are caused by poorly maintained power tools.
- **Keep cutting tools sharp and clean.** Properly maintained cutting tools with sharp cutting edges are less likely to bind and are easier to control.
- **Use the power tool, accessories and tool bits etc. in accordance with these instructions, taking into account the working conditions and the work to be performed.** Use of the power tool for operations different from those intended could result in a hazardous situation.
- **Keep handles and grasping surfaces dry, clean and free from oil and grease.** Slippery handles and grasping surfaces do not allow for safe handling and control of the tool in unexpected situations.

## BATTERY TOOL USE AND CARE

- **Recharge only with the charger specified by the manufacturer.** A charger that is suitable for one type of battery pack may create a risk of fire when used with another battery pack.
- **Use power tools only with specifically designated battery packs.** Use of any other battery packs may create a risk of injury and fire.
- **When battery pack is not in use, keep it away from other metal objects, like paper clips, coins, keys, nails, screws or other small metal objects, that can make a connection from one terminal to another.** Shorting the battery terminals together may cause burns or a fire.
- **Under abusive conditions, liquid may be ejected from the battery; avoid contact. If contact accidentally occurs, flush with water. If liquid contacts eyes, additionally seek medical help.** Liquid ejected from the battery may cause irritation or burns.
- **Do not use a battery pack or tool that is damaged or modified.** Damaged or modified batteries may exhibit unpredictable behavior resulting in fire, explosion or risk of injury.
- **Do not expose a battery pack or tool to fire or excessive temperature.** Exposure to fire or temperature above 265°F may cause explosion.
- **Follow all charging instructions and do not charge the battery pack or tool outside the temperature range specified in the instructions.** Charging improperly or at temperatures outside the specified range may damage the battery and increase the risk of fire.

## SERVICE

- **Have your power tool serviced by a qualified repair person using only identical replacement parts.** This will ensure that the safety of the power tool is maintained.
- **Never service damaged battery packs.** Service of battery packs should only be performed by the manufacturer or authorized service providers.

# DRILL-DRIVER SAFETY WARNINGS

## SAFETY INSTRUCTIONS FOR ALL OPERATIONS

- **Hold the power tool by insulated gripping surfaces, when performing an operation where the cutting accessory or fasteners may contact hidden wiring.** Cutting accessory or fasteners contacting a “live” wire may make exposed metal parts of the power tool “live” and could give the operator an electric shock.

## SAFETY INSTRUCTIONS WHEN USING LONG DRILL BITS

- **Never operate at higher speed than the maximum speed rating of the drill bit.** At higher speeds, the bit is likely to bend if allowed to rotate freely without contacting the workpiece, resulting in personal injury.
- **Always start drilling at low speed and with the bit tip in contact with the workpiece.** At higher speeds, the bit is likely to bend if allowed to rotate freely without contacting the workpiece, resulting in personal injury.
- **Apply pressure only in direct line with the bit and do not apply excessive pressure.** Bits can bend causing breakage or loss of control, resulting in personal injury.




## ADDITIONAL SAFETY INSTRUCTIONS

- **Know your power tool. Read operator’s manual carefully. Learn its applications and limitations, as well as the specific potential hazards related to this power tool.** Following this rule will reduce the risk of electric shock, fire, or serious injury.
- **Always wear eye protection with side shields marked to comply with ANSI Z87.1 when assembling parts, operating the tool, or performing maintenance.** Following this rule will reduce the risk of serious personal injury.
- **Protect your lungs. Wear a face or dust mask if the operation is dusty.** Following this rule will reduce the risk of serious personal injury.






- **Protect your hearing. Wear hearing protection during extended periods of operation.** Following this rule will reduce the risk of serious personal injury.
- **Battery tools do not have to be plugged into an electrical outlet; therefore, they are always in operating condition. Be aware of possible hazards when not using your battery tool or when changing accessories.** Following this rule will reduce the risk of electric shock, fire, or serious personal injury.
- **Do not place battery tools or their batteries near fire or heat.** This will reduce the risk of explosion and possibly injury.
- **Do not crush, drop or damage battery pack. Do not use a battery pack or charger that has been dropped or received a sharp blow.** A damaged battery is subject to explosion. Properly dispose of a dropped or damaged battery immediately.
- **Batteries can explode in the presence of a source of ignition, such as a pilot light.** To reduce the risk of serious personal injury, never use any cordless product in the presence of open flame. An exploded battery can propel debris and chemicals. If exposed, flush with water immediately.
- **Do not charge battery tool in a damp or wet location. Do not use, store, or charge battery packs or products in locations where the temperature is less than 50°F or more than 100°F.** Do not store outside or in vehicles.
- **Under extreme usage or temperature conditions, battery leakage may occur. If liquid comes in contact with your skin, wash immediately with soap and water. If liquid gets into your eyes, flush them with clean water for at least 10 minutes, then seek immediate medical attention.** Following this rule will reduce the risk of serious personal injury.
- **Save these instructions.** Refer to them frequently and use them to instruct others who may use this tool. If you loan someone this tool, loan them these instructions also.

# SYMBOLS

The following signal words and meanings are intended to explain the levels of risk associated with this product.

SYMBOL	SIGNAL	MEANING
	<b>DANGER:</b>	Indicates a hazardous situation, which, if not avoided, will result in death or serious injury.
	<b>WARNING:</b>	Indicates a hazardous situation, which, if not avoided, could result in death or serious injury.
	<b>CAUTION:</b>	Indicates a hazardous situation, that, if not avoided, may result in minor or moderate injury.
	<b>NOTICE:</b>	(Without Safety Alert Symbol) Indicates information considered important, but not related to a potential injury (e.g. messages relating to property damage).

Some of the following symbols may be used on this product. Please study them and learn their meaning. Proper interpretation of these symbols will allow you to operate the product better and safer.

SYMBOL	NAME	DESIGNATION/EXPLANATION
	Safety Alert	Indicates a potential personal injury hazard.
	Read Operator's Manual	To reduce the risk of injury, user must read and understand operator's manual before using this product.
	Eye Protection	Always wear eye protection with side shields marked to comply with ANSI Z87.1.
	Wet Conditions Alert	Do not expose to rain or use in damp locations.
	Recycle Symbol	This product uses lithium-ion (Li-ion) batteries. Local, state or federal laws may prohibit disposal of batteries in ordinary trash. Consult your local waste authority for information regarding available recycling and/or disposal options.
V	Volts	Voltage
min	Minutes	Time
—	Direct Current	Type or a characteristic of current
$n_0$	No Load Speed	Rotational speed, at no load
.../min	Per Minute	Revolutions, strokes, surface speed, orbits etc., per minute

# ASSEMBLY

## **WARNING:**

Do not use this product if it is not completely assembled or if any parts appear to be missing or damaged. Use of a product that is not properly and completely assembled or with damaged or missing parts could result in serious personal injury.

## **WARNING:**

Do not attempt to modify this product or create accessories or attachments not recommended for use with this product. Any such alteration or modification is misuse and could result in a hazardous condition leading to possible serious personal injury.

If any parts are damaged or missing, please call 1-800-525-2579 for assistance.

# OPERATION

## **WARNING:**

Do not allow familiarity with this product to make you careless. Remember that a careless fraction of a second is sufficient to inflict serious injury.

## **WARNING:**

Always remove battery pack from the tool when you are assembling parts, making adjustments, cleaning, or when not in use. Removing battery pack will prevent accidental starting that could cause serious personal injury.

## **WARNING:**

Always wear eye protection with side shields marked to comply with ANSI Z87.1. Failure to do so could result in objects being thrown into your eyes and other possible serious injuries.

## **WARNING:**

Do not use any attachments or accessories not recommended by the manufacturer of this product. The use of attachments or accessories not recommended can result in serious personal injury.

## **CAUTION:**

This drill is not intended to be used for mixing concrete, drywall, grout or other similar types of viscous mixtures. Failure to obey this caution could cause poor performance, possible injury, and will void your warranty.

## **VARIABLE SPEED SWITCH TRIGGER**

*See Figure 1, page 9.*

The variable speed switch trigger delivers higher speed with increased trigger pressure and lower speed with decreased trigger pressure.

To turn the drill **ON**, depress the switch trigger. To turn it **OFF**, release the switch trigger and allow the chuck to come to a complete stop.

**NOTE:** A whistling or ringing noise coming from the switch during use is a normal part of the switch function.

**NOTE:** Running at low speeds under constant usage may cause the drill to become overheated. If this occurs, cool the drill by running it without a load and at full speed.

## **DIRECTION OF ROTATION SELECTOR (FORWARD/REVERSE/CENTER LOCK)**

*See Figure 1, page 9.*

Set the direction of rotation selector in the **OFF** (center lock) position to lock the switch trigger and help prevent accidental starting when not in use.

Position the direction of rotation selector to the left of the switch trigger for forward drilling. Position the selector to the right of the switch trigger to reverse the direction.

**NOTE:** The drill will not run unless the direction of rotation selector is pushed fully to the left or right.

## **NOTICE:**

To prevent gear damage, always allow the chuck to come to a complete stop before changing the direction of rotation.

## **APPLICATIONS**

You may use this product for the purposes listed below:

- Drilling in all types of wood products (lumber, plywood, paneling, composition board, and hard board), ceramics, plastics, fiberglass, laminates, and metals; driving screws into wood and drywall with screwdriver bits

# OPERATION

## WARNING:

Battery tools are always in operating condition. Lock the switch when not in use or carrying at your side, when installing or removing the battery pack, and when installing or removing bits.

## INSTALLING/REMOVING BATTERY PACK

See Figure 2, page 9.

- Lock the switch trigger.
- Insert the battery pack into the product as shown.
- Make sure the latches on each side of the battery pack snap in place and the battery pack is secured in the product before beginning operation.
- Depress the latches to remove the battery pack.

For complete charging instructions, see the operator's manuals for your battery pack and charger.

## INSTALLING/REMOVING BITS

See Figures 3 - 4, page 9.

The arrows on the keyless chuck indicate which direction to rotate the chuck sleeve to tighten or release the drill bit.

Do not use a wrench to tighten or loosen the chuck jaws.

- **To install bits**, lock the switch trigger.
- Open or close the chuck jaws until the opening is slightly larger than the bit size you intend to use.
- Raise the front of the drill slightly and insert the drill bit.

## WARNING:

Make sure to insert the drill bit straight into the chuck jaws. Do not insert the drill bit into the chuck jaws at an angle, then tighten. This could cause the drill bit to be thrown from the drill, resulting in possible serious personal injury or damage to the chuck.

- Rotate the chuck sleeve to close and tighten the chuck jaws.

## WARNING:

Do not hold the chuck sleeve with one hand and use the power of the drill to tighten the chuck jaws on the drill bit. The chuck sleeve could slip in your hand, or your hand could slip and come in contact with the rotating drill bit. This could cause an accident resulting in serious personal injury.

- **To remove bits**, lock the switch trigger and open the chuck jaws.

## TWO-SPEED GEAR TRAIN

See Figure 5, page 9.

- Select low speed **(1)** for applications requiring higher power and torque, such as driving screws and drilling in metal.
- Select high speed **(2)** for fast drilling or driving applications, for drilling in wood or masonry.

## NOTICE:


Never change speeds while the tool is running. Failure to obey this caution could result in serious damage to the drill.

**NOTE:** If you have difficulty changing from one speed range to the other, turn the chuck by hand until the gears engage.

## ADJUSTING TORQUE

See Figure 6, page 9.

Rotate the adjustment ring to the proper torque setting for the type of material and size of screw you are using.

- 1 - 4 For driving small screws
- 5 - 8 For driving screws into soft material
- 9 - 12 For driving screws into soft and hard materials
- 13 - 16 For driving screws into hard wood
- 17 - 23 For driving large screws
-  For heavy drilling

## DRILLING/DRIVING SCREWS

See Figure 7, page 9.

- Check the direction of rotation selector for the correct setting (forward or reverse).
- Select low speed **(1)** or high speed **(2)**, depending on your application. Refer to **Two-Speed Gear Train** and **Adjusting Torque**.
- Secure the workpiece in a vise or with clamps to keep it from turning as the bit rotates.
- Hold the drill firmly and place the bit at the point to be drilled, or where the screw is to be driven.

## WARNING:

Do not drive a screw where there is likely to be hidden wiring behind the surface. Contact with a "live" wire will make exposed metal parts of the tool "live" and possibly shock the operator. If you must drive a screw where hidden wire may be present, always hold tool by insulated gripping surfaces (handle) when performing the operation to prevent a shock to the operator.

# OPERATION

- Depress the switch trigger to start the drill.
- Move the bit into the workpiece, applying only enough pressure to keep the bit cutting or driving the screw. Do not force the drill or apply side pressure to elongate a hole. Let the tool do the work.

## **WARNING:**

When drilling, be prepared for binding at bit breakthrough. When these situations occur, drill has a tendency to grab and kick opposite to the direction of rotation and could cause loss of control when breaking through material. If not prepared, this loss of control can result in possible serious injury.

- When drilling hard, smooth surfaces, use a center punch to mark the desired hole location. This will prevent the bit from slipping off-center as the hole is started.
- If the bit jams in the workpiece or if the drill stalls, stop the tool immediately. Remove the bit from the workpiece and determine the reason for jamming.

**NOTE:** This drill has an electric brake. When the switch trigger is released, the chuck stops turning. When the brake is functioning properly, sparks will be visible through the vent slots on the housing. This is normal and is the action of the brake.

**NOTE:** If an operation creates considerable dust resulting in low visibility of the workpiece, frequent vacuuming of the work area is recommended.

## WOOD AND METAL DRILLING

For maximum performance, use high speed steel bits for wood or metal drilling. Select drilling mode. Begin drilling at a very low speed to prevent the bit from slipping off the starting point.

### Wood Drilling

- Increase the speed as the drill bit bites into the material.
- When drilling through holes, place a block of wood behind the workpiece to prevent ragged or splintered edges on the back side of the hole.

### Metal and Steel Drilling

- Use a light oil on the drill bit to keep it from overheating. The oil will prolong the life of the bit and increase the drilling action.
- Maintain a speed and pressure which allows cutting without overheating the bit. Applying too much pressure will:
  - Overheat the drill;
  - Wear the bearings;
  - Bend or burn bits; and
  - Produce off-center or irregular-shaped holes.
- When drilling large holes in metal, start with a small bit, then finish with a larger bit.

# MAINTENANCE

## **WARNING:**

When servicing, use only identical replacement parts. Use of any other part could create a hazard or cause product damage.

## GENERAL MAINTENANCE

Avoid using solvents when cleaning plastic parts. Most plastics are susceptible to damage from various types of commercial solvents and can be damaged by their use. Use clean cloths to remove dirt, dust, oil, grease, etc.

**ILLUSTRATIONS START ON PAGE 9 AFTER  
FRENCH AND SPANISH LANGUAGE SECTIONS.**





# RÈGLES DE SÉCURITÉ RELATIVES AUX OUTILS ÉLECTRIQUES



## AVERTISSEMENT

**Lire les avertissements de sécurité, les instructions et les précisions et consulter les illustrations fournis avec cet outil électrique.** Le fait de ne pas se conformer à l'ensemble des consignes présentées ci-dessous risque d'entraîner des décharges électriques, un incendie et/ou des blessures graves.

Conserver les avertissements et les instructions à des fins de référence ultérieure. Le terme « outil électrique », utilisé dans tous les avertissements ci-dessous désigne tout outil fonctionnant sur secteur (câblé) ou sur piles (sans fil).

## SÉCURITÉ DU LIEU DE TRAVAIL

- **Garder le lieu de travail propre et bien éclairé.** Les endroits encombrés ou sombres sont propices aux accidents.
- **Ne pas utiliser d'outils électriques dans des atmosphères explosives, par exemple en présence de liquides, gaz ou poussières inflammables.** Les outils électriques produisent des étincelles risquant d'enflammer les poussières ou vapeurs.
- **Garder les enfants et badauds à l'écart pendant l'utilisation d'un outil électrique.** Les distractions peuvent causer une perte de contrôle.

## SÉCURITÉ ÉLECTRIQUE

- **Les fiches des outils électriques doivent correspondre à la prise secteur utilisée. Ne jamais modifier la fiche, de quelque façon que ce soit. Ne jamais utiliser d'adaptateurs de fiche avec des outils mis à la terre.** Les fiches et prises non modifiées réduisent le risque de choc électrique.
- **Éviter tout contact du corps avec des surfaces mises à la terre, telles que tuyaux, radiateurs, cuisinières et réfrigérateurs.** Le risque de choc électrique est accru lorsque le corps est mis à la terre.
- **Ne pas exposer les outils électriques à l'eau ou l'humidité.** La pénétration d'eau dans ces outils accroît le risque de choc électrique.
- **Ne pas maltraiter le cordon d'alimentation. Ne jamais utiliser le cordon d'alimentation pour transporter l'outil et ne jamais débrancher ce dernier en tirant sur le cordon. Garder le cordon à l'écart de la chaleur, de l'huile, des objets tranchants et des pièces en mouvement.** Un cordon endommagé ou emmêlé accroît le risque de choc électrique.
- **Pour les travaux à l'extérieur, utiliser un cordon spécialement conçu à cet effet.** Utiliser un cordon conçu pour l'usage extérieur pour réduire les risques de choc électrique.

- **S'il est nécessaire d'utiliser l'outil électrique dans un endroit humide, employer un dispositif interrupteur de défaut à la terre (GFCI).** L'utilisation d'un GFCI réduit le risque de décharge électrique.
- **Utiliser ce produit seulement avec les piles et les chargeurs indiqués dans le supplément de raccordement pour chargeur/outils/piles/appareil n° 987000-432.**

## SÉCURITÉ PERSONNELLE

- **Rester attentif, prêter attention au travail et faire preuve de bon sens lors de l'utilisation de tout outil électrique. Ne pas utiliser cet outil en état de fatigue ou sous l'influence de l'alcool, de drogues ou de médicaments.** Un moment d'inattention pendant l'utilisation d'un outil électrique peut entraîner des blessures graves.
- **Utiliser l'équipement de sécurité. Toujours porter une protection oculaire.** L'équipement de sécurité, tel qu'un masque filtrant, de chaussures de sécurité, d'un casque ou d'une protection auditive, utilisé dans des conditions appropriées réduira le risque de blessures.
- **Éviter les démarrages accidentels. S'assurer que la gâchette est en position d'arrêt avant de brancher l'outil à une source de courant, d'insérer la batterie, de le ramasser ou de le transporter.** Porter un outil avec le doigt sur son commutateur ou brancher un outil dont le commutateur est en position de marche peut causer un accident.
- **Retirer les clés de réglage avant de mettre l'outil en marche.** Une clé laissée sur une pièce rotative de l'outil peut causer des blessures.
- **Ne pas travailler hors de portée. Toujours se tenir bien campé et en équilibre.** Ceci permettra de mieux contrôler l'outil en cas de situation imprévue.
- **Porter une tenue appropriée. Ne porter ni vêtements amples, ni bijoux. Garder les cheveux et les vêtements à l'écart des pièces en mouvement.** Les vêtements amples, bijoux et cheveux longs peuvent se prendre dans les pièces en mouvement.
- **Si les outils sont équipés de dispositifs de dépoussiérage, s'assurer qu'ils sont connectés et correctement utilisés.** L'usage de ces dispositifs de dépoussiérage peut réduire les dangers présentés par la poussière.
- **Malgré votre expérience acquise par l'utilisation fréquente des outils, soyez toujours vigilant et respectez les principes de sécurité relatifs aux outils.** Il s'agit d'une fraction de seconde pour qu'un geste irréfléchi puisse causer de graves blessures.
- **Ne porter ni vêtements amples, ni bijoux. Attacher ou couvrir les cheveux longs.** Les vêtements amples, bijoux et cheveux longs peuvent se prendre dans les ouïes d'aération.
- **Ne pas utiliser l'outil sur une échelle ou un support instable.** Une bonne tenue et un bon équilibre permettent de mieux contrôler l'outil en cas de situation imprévue.

# RÈGLES DE SÉCURITÉ RELATIVES AUX OUTILS ÉLECTRIQUES

## UTILISATION ET ENTRETIEN DES OUTILS ÉLECTRIQUES

- **Ne pas forcer l'outil. Utiliser l'outil approprié pour l'application.** Un outil approprié exécutera le travail mieux et de façon moins dangereuse s'il est utilisé dans les limites prévues.
- **Ne pas utiliser l'outil si le commutateur ne permet pas de le mettre en marche ou de l'arrêter.** Tout outil qui ne peut pas être contrôlé par son commutateur est dangereux et doit être réparé.
- **Débrancher l'outil et/ou retirer le bloc-piles avant d'effectuer des réglages, de changer d'accessoire ou de remiser l'outil.** Ces mesures de sécurité préventives réduisent les risques de démarrage accidentel de l'outil.
- **Ranger les outils motorisés hors de la portée des enfants et ne laisser personne n'étant pas familiarisé avec l'outil ou ces instructions utiliser l'outil.** Dans les mains de personnes n'ayant pas reçu des instructions adéquates, les outils sont dangereux.
- **Entretenir les outils motorisés. Vérifier qu'aucune pièce mobile n'est mal alignée ou bloquée, qu'aucune pièce n'est brisée et s'assurer qu'aucun autre problème ne risque d'affecter le bon fonctionnement de l'outil. En cas de dommages faire réparer l'outil avant de l'utiliser de nouveau.** Beaucoup d'accidents sont causés par des outils mal entretenus.
- **Garder les outils bien affûtés et propres.** Des outils correctement entretenus et dont les tranchants sont bien affûtés risquent moins de se bloquer et sont plus faciles à contrôler.
- **Utiliser l'outil, les accessoires et embouts, etc. conformément à ces instructions pour les applications pour lesquelles ils sont conçus, en tenant compte des conditions et du type de travail à exécuter.** L'usage d'un outil motorisé pour des applications pour lesquelles il n'est pas conçu peut être dangereux.
- **Gardez les poignées et les surfaces de prise sèches, propres et exemptes d'huile et de graisse.** Des poignées et des surfaces de prise glissantes empêchent la manipulation et le contrôle sécuritaires de l'outil dans des circonstances imprévues.

## UTILISATION ET ENTRETIEN DE LA PILE

- **Ne recharger qu'avec l'appareil spécifié par le fabricant.** Un chargeur approprié pour un type de pile peut créer un risque d'incendie s'il est utilisé avec un autre type de pile.
- **Utiliser exclusivement le bloc-pile spécifiquement indiqué pour l'outil.** L'usage de tout autre bloc peut créer un risque de blessures et d'incendie.
- **Lorsque le bloc-piles n'est pas en usage, le garder à l'écart d'articles tels qu'attaches trombones, pièces de monnaie, clous, vis ou autres petits objets métalliques risquant d'établir le contact entre les deux bornes.** La mise en court-circuit des bornes de piles peut causer des étincelles, des brûlures ou un incendie.
- **En cas d'usage abusif, du liquide peut s'échapper des piles. Éviter tout contact avec ce liquide. En cas de contact accidentel, rincer immédiatement les parties atteintes avec de l'eau. En cas d'éclaboussure dans les yeux consulter un médecin.** Le liquide s'échappant des piles peut causer des irritations ou des brûlures.
- **Ne pas utiliser un bloc-piles ou un outil endommagé ou modifié.** Les piles endommagées ou modifiées peuvent produire un comportement imprévisible pouvant provoquer un incendie, une explosion ou des blessures.
- **Ne pas exposer le bloc-piles ou l'outil près d'un incendie ou à une température extrême.** L'exposition à un incendie ou à une température supérieure à 130 °C (265 °F) représente un risque d'explosion.
- **Suivre toutes les instructions afférentes à la recharge et ne pas recharger le bloc-piles ou l'outil hors des températures spécifiées dans les instructions.** Une recharge incorrecte ou hors des températures spécifiées peut endommager la pile et augmenter les risques de feu.

## DÉPANNAGE

- **Les réparations doivent être confiées à un technicien qualifié, utilisant exclusivement des pièces identiques à celles d'origine.** Ceci assurera le maintien de la sécurité de l'outil.
- **Ne réparez jamais de blocs-piles endommagés.** Seuls le fabricant et les fournisseurs de service autorisés doivent effectuer la réparation ou l'entretien des blocs-piles.

# AVERTISSEMENTS DE SÉCURITÉ RELATIFS AU PERCEUSE-TOURNEVIS

## INSTRUCTIONS DE SÉCURITÉ POUR TOUTES LES OPÉRATIONS

- **Tenir l'outil par ses surfaces de préhension isolées lors des opérations pendant lesquelles l'accessoire de coupe ou les fixations peut entrer en contact avec du câblage caché.** Le contact d'un accessoire de coupe ou pièce de fixation avec un fil sous tension « électrifié » les pièces métalliques exposées de l'outil et peut électrocuter l'utilisateur.

## INSTRUCTIONS DE SÉCURITÉ RELATIVES À L'UTILISATION DES MÈCHES LONGUES

- **Ne jamais faire fonctionner à une vitesse supérieure à la vitesse maximale suggérée pour la mèche.** À des vitesses plus élevées, la mèche est plus susceptible de plier si on la laisse tourner librement sans contact avec la pièce à percer, ce qui peut causer des blessures.
- **Toujours commencer à percer à basse vitesse et s'assurer que le bout de la mèche est en contact avec la pièce à percer.** À des vitesses plus élevées, la mèche est plus susceptible de plier si on la laisse tourner librement sans contact avec la pièce à percer, ce qui peut causer des blessures.
- **Appliquer une pression seulement en ligne directe avec la mèche et ne pas appliquer trop de pression.** Les mèches peuvent se plier et briser ou vous faire perdre le contrôle, ce qui peut causer des blessures.

## INSTRUCTIONS DE SÉCURITÉ SUPPLÉMENTAIRES




- **Apprendre à connaître l'outil. Lire attentivement le manuel d'utilisation. Apprendre les applications et les limites de l'outil, ainsi que les risques spécifiques relatifs à son utilisation.** Le respect de cette consigne réduira les risques d'incendie, de choc électrique et de blessures graves.
- **Toujours porter une protection oculaire munie d'écrans latéraux certifiée conforme à la norme ANSI Z87.1 lors du montage des pièces, du fonctionnement de l'outil ou au moment de l'entretien.** Le respect de cette consigne réduira les risques de blessures graves.
- **Protection respiratoire. Porter un masque facial ou un masque antipoussière si le travail produit de la poussière.**

Le respect de cette consigne réduira les risques de blessures graves.






- **Protection auditive. Porter une protection auditive lors de l'utilisation prolongée.** Le respect de cette règle réduira les risques de blessures graves.
- **Les outils fonctionnant sur piles n'ayant pas besoin d'être branchés sur une prise secteur, ils sont toujours en état de fonctionnement. Tenir compte des dangers possibles lorsque l'outil n'est pas en usage et lors du remplacement des piles.** Le respect de cette consigne réduira les risques d'incendie, de choc électrique et de blessures graves.
- **Ne pas placer les outils électriques sans fil ou leurs piles à proximité de flammes ou d'une source de chaleur.** Ceci réduira les risques d'explosion et de blessures.
- **Ne pas écraser, faire tomber ou endommager le bloc-piles. Ne jamais utiliser un bloc-piles ou un chargeur qui est tombé, a été écrasé, a reçu un choc violent ou a été endommagé de quelque façon que ce soit.** Une pile endommagée risque d'exploser. Éliminer immédiatement toute pile endommagée, selon une méthode appropriée.
- **Les piles peuvent exploser en présence d'une source d'allumage, telle qu'une veilleuse.** Pour réduire les risques de blessures graves, ne jamais utiliser un appareil sans fil, quel qu'il soit, en présence d'une flamme vive. En explosant, une pile peut projeter des débris et des produits chimiques. En cas d'exposition, rincer immédiatement les parties atteintes avec de l'eau.
- **Ne pas recharger un outil fonctionnant sur piles dans un endroit humide ou mouillé. Ne pas utiliser, remiser ou charger le bloc-piles ou produits dans des emplacements où la température est inférieure 10 °C (50 °F) à ou supérieure à 38 °C (100 °F).** Ne pas ranger l'outil à l'extérieur ou dans un véhicule.
- **Si l'outil est utilisé de façon intensive ou sous des températures extrêmes, des fuites de pile peuvent se produire. En cas de contact du liquide avec la peau, rincer immédiatement la partie atteinte avec de l'eau. En cas d'éclaboussure dans les yeux, les rincer à l'eau fraîche pendant au moins 10 minutes, puis contacter immédiatement un médecin.** Le respect de cette règle réduira les risques de blessures graves.
- **Conserver ces instructions.** Les consulter fréquemment et les utiliser pour instruire les autres utilisateurs éventuels. Si cet outil est prêté, il doit être accompagné de ces instructions.

# SYMBOLES

Les termes de mise en garde suivants et leur signification ont pour but d'expliquer le degré de risques associé à l'utilisation de ce produit.

SYMBOLE	SIGNAL	SIGNIFICATION
	<b>DANGER :</b>	Indique une situation dangereuse qui, si elle n'est pas évitée, aura pour conséquences des blessures graves ou mortelles.
	<b>AVERTISSEMENT :</b>	Indique une situation dangereuse qui, si elle n'est pas évitée, pourrait entraîner des blessures graves ou mortelles.
	<b>ATTENTION :</b>	Indique une situation dangereuse qui, si elle n'est pas évitée, pourrait entraîner des blessures légères ou de gravité modérée.
	<b>AVIS :</b>	(Sans symbole d'alerte de sécurité) Indique les informations jugées importantes sans toutefois représenter un risque de blessure (ex. : messages concernant les dommages matériels).

Certains des symboles ci-dessous peuvent être utilisés sur produit. Veiller à les étudier et à apprendre leur signification. Une interprétation correcte de ces symboles permettra d'utiliser produit plus efficacement et de réduire les risques.

SYMBOLE	NOM	DÉSIGNATION / EXPLICATION
	Symbole d'alerte de sécurité	Indique un risque de blessure potentiel.
	Lire manuel d'utilisation	Pour réduire les risques de blessures, l'utilisateur doit lire et veiller à bien comprendre le manuel d'utilisation avant d'utiliser ce produit.
	Protection oculaire	Toujours porter une protection oculaire avec écrans latéraux certifiée conforme à la norme ANSI Z87.1.
	Avertissement concernant l'humidité	Ne pas exposer à la pluie ou l'humidité.
	Symboles de recyclage	Ce produit utilise les piles de lithium-ion (Li-ion). Les réglementations locales ou gouvernementales peuvent interdire de jeter les piles dans les ordures ménagères. Consulter les autorités locales compétentes pour les options de recyclage et/ou l'élimination.
V	Volts	Tension
min	Minutes	Temps
==	Courant continu	Type ou caractéristique du courant
$n_0$	Vitesse à vide	Vitesse de rotation à vide
.../min	Par minute	Tours, coups, vitesse périphérique, orbites, etc., par minute

# ASSEMBLAGE

## AVERTISSEMENT :

Ne pas utiliser le produit s'il n'est pas complètement assemblé ou si des pièces semblent manquantes ou endommagées. L'utilisation d'un produit dont l'assemblage est incorrect ou incomplet ou comportant des pièces endommagées ou absentes représente un risque de blessures graves.

## AVERTISSEMENT :

Ne pas essayer de modifier cet outil ou de créer des pièces et accessoires non recommandés. De telles altérations ou modifications sont considérées comme un usage abusif et peuvent créer des conditions dangereuses, risquant d'entraîner des blessures graves.

Si des pièces manquent ou sont endommagées, veuillez appeler au 1-800-525-2579 pour obtenir de l'aide.

# UTILISATION

## AVERTISSEMENT :

Ne pas laisser la familiarité avec l'outil faire oublier la prudence. Ne pas oublier qu'une fraction de seconde d'inattention peut entraîner des blessures graves.

## AVERTISSEMENT :

Toujours retirer la bloc-pile de l'outil au moment d'assembler des pièces, d'effectuer des réglages et de procéder au nettoyage, ou lorsque l'outil n'est pas utilisé. Si cette précaution n'est pas prise, des objets peuvent être projetés dans les yeux et causer des lésions graves.

## AVERTISSEMENT :

Toujours porter une protection oculaire certifiée conforme à la norme ANSI Z87.1. Si une opération dégage de la poussière, porter également un masque anti-poussière.

## AVERTISSEMENT :

Ne pas utiliser d'outils ou accessoires non recommandés par le fabricant pour cet outil. L'utilisation de pièces et accessoires non recommandés peut entraîner des blessures graves.

## ATTENTION :

Cette perceuse n'est pas destinée à être utilisée pour mélanger du béton, des cloisons sèches, du coulis ou d'autres types de mélanges visqueux similaires. Le non-respect de cet avertissement peut entraîner de mauvaises performances, des blessures éventuelles et annulera votre garantie.

## GÂCHETTE À VARIATION DE VITESSE

*Voir la figure 1, page 9.*

La gâchette avec variation de vitesse procurera des vitesses plus élevées si une pression accrue est exercée et des vitesses moins élevées dans le cas d'une pression réduite.

Pour mettre la perceuse **EN MARCHÉ**, appuyer sur la gâchette. Pour **ÉTEINDRE** la perceuse, relâcher la gâchette et laisser le mandrin parvenir à l'arrêt complet.

**NOTE :** Un bruit de sifflement ou de tintement provenant de la gâchette pendant l'utilisation est une situation normale pour cet interrupteur.

**NOTE :** L'utilisation de la perceuse à faible vitesse de façon continue peut entraîner une surchauffe. Si la perceuse surchauffe, la refroidir en la laissant tourner à vide et à la vitesse maximum.

## SÉLECTEUR DE SENS DE ROTATION (AVANT / ARRIÈRE / POSITION CENTRALE VERROUILLÉE)

*Voir la figure 1, page 9.*

Régler le sélecteur de sens de rotation à la position OFF (position centrale verrouillée) pour verrouiller la gâchette pour réduire la possibilité d'un démarrage accidentel lorsque l'appareil n'est pas utilisé.

Positionner le sélecteur de sens de rotation du côté gauche de la gâchette pour pouvoir percer vers l'avant. Positionner le sélecteur de sens de rotation du côté droit de la gâchette pour inverser le sens de rotation.

**NOTE :** La perceuse ne peut fonctionner que si le sélecteur de sens de rotation est poussé à fond vers la droite ou la gauche.

## APPLICATIONS

Cet outil ne doit être utilisé que pour les applications listées ci-dessous.

- Perçage et du vissage de vis de produits du bois (bois d'oeuvre, contreplaqué, lambris, aggloméré et bois dur), céramique, plastique, fibre de verre, matériaux laminés, métaux mous et durs; Visser différents types de vis dans le bois et les cloisons sèches à l'aide d'embouts de tournevis

# UTILISATION

## AVIS :

Pour éviter des dommages aux engrenages, toujours laisser le mandrin parvenir à l'arrêt complet avant de changer de sens de rotation.



## AVERTISSEMENT :

Les outils à piles sont toujours en état de fonctionnement. Verrouiller la gâchette lorsque l'outil n'est pas utilisé ou pour le transporter le long du corps, pour insérer ou retirer le bloc-piles et lors de l'installation ou du retrait des forets.

## INSTALLATION/RETRAIT DU BLOC-PILES

Voir la figure 2, page 9.

- Verrouiller la gâchette.
- Insérer la pile dans l'outil comme illustré.
- S'assurer que les loquets de chaque côté de la pile s'enclenchent en place et que la pile est bien fixée à l'outil avant de mettre l'outil en marche.
- Relâcher les loquets pour retirer le bloc-piles.

Pour prendre connaissance des consignes de chargement, consulter le manuel d'utilisation des piles et des chargeurs.

## INSTALLATION/RETRAIT FORETS

Voir les figures 3 et 4, page 9.

Les flèches sur le mandrin sans clé indiquent le sens de rotation du manchon du mandrin pour serrer ou déloger le foret de la perceuse.

Ne pas utiliser une clé ordinaire ou une pince pour serrer ou desserrer les mors du mandrin.

- **Pour insérer les forets**, verrouiller la gâchette.
- Ouvrir suffisamment les mors du mandrin pour pouvoir insérer le foret à utiliser.
- Relever légèrement la partie avant de la perceuse et insérer le foret.



## AVERTISSEMENT :

Veiller à insérer le foret ou l'embout droit dans les mors du mandrin. Ne pas insérer un foret dans les mors en serrant. Le foret pourrait être éjecté de la perceuse et causer des blessures graves ou endommager le mandrin.

- Tournez le manchon du mandrin à la position fermée et serrez les mâchoires du mandrin.



## AVERTISSEMENT :

Ne pas tenir le manchon du mandrin d'une main et utiliser la force du moteur pour serrer les mors du mandrin sur le foret ou l'embout. Le mandrin pourrait glisser de la main et celle-ci risquerait d'être heurtée par le foret en rotation. Ceci pourrait entraîner des blessures graves.

- **Pour retirer les forets**, verrouiller la gâchette et ouvrir les mors du mandrin.

## TRAIN D'ENGRENAGES À DEUX VITESSES

Voir la figure 5, page 9.

- Sélectionnez la vitesse basse (low) **(1)** pour les travaux nécessitant une puissance et un couple accrus, tels que de visser des vis et de percer du métal.
- Sélectionner la vitesse élevée (high) **(2)** pour les applications de vissage et perçage rapides et le perçage du bois ou de la maçonnerie.

## AVIS :


Ne jamais changer de gamme de vitesse lorsque l'outil est en fonctionnement. Le non respect de cette mise en garde pourrait entraîner de sérieux dommages à la perceuse.

**NOTE:** Si vous avez du mal à passer d'une plage de vitesse à l'autre, tournez le mandrin manuellement jusqu'à ce que les vitesses s'engagent.

## RÉGLAGE DU COUPLE

Voir la figure 6, page 9.

Tourner la bague de réglage au couple adéquat à utiliser selon le type de matériau et la dimension de la vis à utiliser.

- 1 - 4 Pour les vis de petite taille
- 5 - 8 Pour le vissage dans des matériaux tendres
- 9 - 12 Pour le vissage dans des matériaux tendres ou durs
- 13 - 16 Pour le vissage dans du bois dur
- 17 - 23 Pour les vis de grande taille
-  Pour les travaux de perçage les plus durs

## PERÇAGE/VISSER DE VIS

Voir la figure 7, page 9.

- Vérifier la position du sélecteur de rotation (rotation avant ou arrière).
- Utiliser la vitesse basse (low) **(1)** pour les applications exigeant beaucoup de puissance et de couple, et la élevée (high) **(2)** pour visser ou percer rapidement. Se reporter aux sections **Train d'engrenages à deux vitesses** et **Réglage du couple**.
- Bloquer la pièce de travail dans un étau ou avec des serre-joint pour l'empêcher de tourner avec le foret.
- Tenir solidement la perceuse et positionner le foret à l'endroit où percer ou visser.



## AVERTISSEMENT :

Ne pas enfoncer de vis dans des surfaces pouvant dissimuler des fils électriques. En cas de contact avec un fil sous tension, les parties métalliques de l'outil seraient mises sous tension et probablement choc l'opérateur. Si vous devez enfoncer une vis dans un endroit où des fils électriques cachés peuvent être présents, tenir l'outil par les surfaces de prise isolées pour éviter un choc électrique.

## UTILISATION

- Appuyer sur la gâchette pour mettre le foret en rotation.
- Percer en appuyant assez de pression sur la perceuse pour que le foret morde dans le matériau. Ne pas forcer la perceuse ou appliquer une force latérale pour ovaliser le trou. Laisser l'outil faire le travail.

### **AVERTISSEMENT :**

Lors du perçage, se tenir prêt pour un blocage lorsque le foret traverse le matériau. Dans ces situations, la perceuse a tendance à être propulsée dans le sens contraire à la rotation, ce qui peut causer la perte de contrôle. Si l'opérateur n'est pas préparé, cette perte de contrôle peut entraîner des blessures graves.

- Avant de percer un matériau dur et lisse, poinçonner l'emplacement désiré du trou. Cette précaution empêchera le foret de glisser au départ du trou.
- Si le foret se bloque dans la pièce ou si la perceuse cale, l'arrêter immédiatement. Sortir le foret de la pièce et déterminer la raison du blocage.

**NOTE :** Cette perceuse est équipée d'un frein électrique. Lorsque la gâchette est relâchée, le mandrin cesse de tourner. Si le frein fonctionne correctement, des étincelles sont visibles au travers des trous d'aération du corps de la perceuse. Ces étincelles, causées par le fonctionnement du frein, sont normales.

**NOTE :** Si une opération génère beaucoup de poussière, il est recommandé de nettoyer souvent l'espace de travail avec un aspirateur.

## PERÇAGE DU BOIS ET DU MÉTAL

Pour une performance optimale, utiliser des forets en acier haute vitesse pour percer le métal ou l'acier. Sélectionner le mode de perçage. Commencer le perçage à très basse vitesse pour éviter que la pointe du foret ne glisse.

### Perçage du bois

- Augmenter la vitesse une fois que le foret a mordu dans le matériau.
- Lors du perçage de trous traversants, placer un morceau de bois derrière la pièce pour éviter l'éclatement du bord inférieur du trou.

### Perçage du métal et de l'acier

- Avant de percer un matériau dur et lisse, poinçonner l'emplacement du trou. Cette précaution empêchera le foret de glisser au départ du trou.
- Appuyer sur la gâchette de façon à maintenir une vitesse ne causant pas la surchauffe du foret. Une pression excessive causerait :
  - La surchauffe de la perceuse ;
  - Une usure excessive des roulements ;
  - La déformation ou le brûlage du foret ; et
  - Des trous décentrés ou de forme irrégulière.
- Lors du perçage de gros trous dans le métal, commencer avec un foret de petite taille avant d'élargir le trou avec un foret de plus grande taille.

## ENTRETIEN

### **AVERTISSEMENT :**

Utiliser exclusivement des pièces d'origine pour les réparations. L'usage de toute autre pièce pourrait créer une situation dangereuse ou endommager l'appareil.

### ENTRETIEN GÉNÉRAL

Éviter d'utiliser des solvants pour le nettoyage des pièces en plastique. La plupart des matières plastiques peuvent être endommagées par divers types de solvants du commerce. Utiliser un chiffon propre pour éliminer la saleté, la poussière, l'huile, la graisse, etc.

**NOTE: ILLUSTRATIONS COMMENÇANT SUR 9 DE PAGE APRÈS LA SECTION ESPAGNOL.**





# ADVERTENCIAS DE SEGURIDAD PARA HERRAMIENTAS ELÉCTRICAS



## ADVERTENCIA

Lea todas las advertencias, instrucciones, ilustraciones y especificaciones proporcionadas con esta herramienta eléctrica. No seguir las instrucciones indicadas a continuación puede provocar descargas eléctricas, incendios o lesiones graves.

Guarde todas las advertencias e instrucciones para consultarlas en el futuro. El término “herramienta eléctrica” en las advertencias se refiere a las herramientas eléctricas que funcionan con corriente (con cordón) o las que funcionan con batería (inalámbricas).

## ÁREA DE TRABAJO

- **Mantenga limpia y bien iluminada el área de trabajo.** Un área de trabajo mal despejada o mal iluminada propicia accidentes.
- **No utilice herramientas motorizadas en atmósferas explosivas, como las existentes alrededor de líquidos, gases y polvos inflamables.** Las herramientas eléctricas generan chispas que pueden encender el polvo y los vapores inflamables.
- **Mantenga alejados a los niños y circunstancias al maniobrar una herramienta eléctrica.** Toda distracción puede causar la pérdida del control de la herramienta.

## SEGURIDAD ELÉCTRICA

- **Las clavijas de las herramientas eléctricas deben corresponder a las tomas de corriente donde se conectan. Nunca modifique la clavija de ninguna forma. No utilice ninguna clavija adaptadora con herramientas eléctricas dotadas de contacto a tierra.** Conectando las clavijas originales en las tomas de corriente donde corresponden se disminuye el riesgo de una descarga eléctrica.
- **Evite el contacto del cuerpo con las superficies de objetos conectados a tierra, como las tuberías, radiadores, estufas y refrigeradores.** Existe un mayor riesgo de descargas eléctricas si el cuerpo está haciendo tierra.
- **No exponga las herramientas eléctricas a la lluvia ni a condiciones de humedad.** La introducción de agua en una herramienta eléctrica aumenta el riesgo de descargas eléctricas.
- **No maltrate el cordón eléctrico. Nunca utilice el cordón para trasladar, desconectar o tirar de la herramienta eléctrica. Mantenga el cordón lejos del calor, aceite, bordes afilados y piezas móviles.** Los cordones eléctricos dañados o enredados aumentan el riesgo de descargas eléctricas.
- **Al utilizar una herramienta eléctrica a la intemperie, use un cordón de extensión apropiado para el exterior.** Usando un cordón adecuado para el exterior se disminuye el riesgo de descargas eléctricas.

- **Si debe operar una herramienta en lugares húmedos, use un suministro protegido por un interruptor de circuito con pérdida a tierra (GFCI).** El uso de un GFCI reduce el riesgo de descargas eléctricas.
- **Usar este producto únicamente con la baterías y el cargadores indicados en el folleto de la herramienta/aparato/paquete de baterías/cargador complementario 987000-432.**

## SEGURIDAD PERSONAL

- **Permanezca alerta, preste atención a lo que esté haciendo y aplique el sentido común al utilizar herramientas eléctricas. No utilice la herramienta eléctrica si está cansado o se encuentra bajo los efectos de alguna droga, alcohol o medicamento.** Un momento de inatención al utilizar una herramienta eléctrica puede causar lesiones corporales serias.
- **Utilice protección el equipo otros. Siempre póngase protección ocular.** El uso de equipo protector como mascarilla para el polvo, calzado de seguridad, casco y protección para los oídos en las circunstancias donde corresponda disminuye el riesgo de lesiones.
- **Evite que la herramienta se active accidentalmente. Asegúrese de que el interruptor esté en la posición de apagado antes de conectarlo a la toma de alimentación o a la batería, al levantar o mover la herramienta.** Transportar herramientas eléctricas con el dedo en el interruptor o enchufar herramientas eléctricas que tienen el interruptor encendido puede ocasionar accidentes.
- **Retire toda llave o herramienta de ajuste antes de encender la herramienta eléctrica.** Toda llave o herramienta de ajuste dejada en una pieza giratoria de la herramienta eléctrica puede causar lesiones.
- **No estire el cuerpo para alcanzar mayor distancia. Mantenga una postura firme y buen equilibrio en todo momento.** De esta manera se logra un mejor control de la herramienta eléctrica en situaciones inesperadas.
- **Vístase adecuadamente. No vista ropas holgadas ni joyas. Mantenga el cabello y la ropa alejados de las piezas móviles.** Las ropas holgadas y las joyas, así como el cabello largo, pueden engancharse en las piezas móviles.
- **Si se suministran dispositivos para conectar mangueras de extracción y captación de polvo, asegúrese de que éstas estén bien conectadas y se usen correctamente.** El uso de la captación de polvo puede reducir los peligros relacionados con éste.
- **No permita que la familiaridad obtenida por el uso frecuente de las herramientas lo vuelva complaciente e ignore los principios de seguridad de las herramientas.** Una acción descuidada puede causar lesiones graves en una fracción de segundo.
- **No vista ropas holgadas ni joyas. Recójase el cabello si está largo.** Las ropas holgadas y las joyas, así como el cabello largo, pueden resultar atraídas hacia el interior de las aberturas de ventilación.

# ADVERTENCIAS DE SEGURIDAD PARA HERRAMIENTAS ELÉCTRICAS

- **No utilice la unidad al estar en una escalera o en un soporte inestable.** Una postura estable sobre una superficie sólida permite un mejor control de la herramienta eléctrica en situaciones inesperadas.

## EMPLEO Y CUIDADO DE LA HERRAMIENTA ELÉCTRICA

- **No fuerce la herramienta eléctrica. Utilice la herramienta eléctrica adecuada para cada trabajo.** La herramienta eléctrica adecuada efectúa mejor y de manera más segura el trabajo, si además se maneja a la velocidad para la que está diseñada.
- **No utilice la herramienta si el interruptor no enciende o no apaga.** Cualquier herramienta eléctrica que no pueda controlarse con el interruptor es peligrosa y debe repararse.
- **Desconecte el enchufe de la fuente de alimentación o retire el paquete de baterías, si es desmontable, de la herramienta eléctrica antes de realizar ajustes, cambiar accesorios o almacenar herramientas eléctricas.** Tales medidas preventivas de seguridad reducen el riesgo de poner en marcha accidentalmente la herramienta.
- **Guarde las herramientas eléctricas desocupadas fuera del alcance de los niños y no permita que las utilicen personas no familiarizadas con las mismas o con estas instrucciones.** Las herramientas eléctricas son peligrosas en manos de personas no capacitadas en el uso de las mismas.
- **Mantenimiento de las herramientas eléctricas y accesorios. Revise para ver si hay desalineación o atoramiento de piezas móviles, ruptura de piezas o toda otra condición que pueda afectar el funcionamiento de la herramienta eléctrica. Si está dañada la herramienta eléctrica, permita que la reparen antes de usarla.** Numerosos accidentes son causados por herramientas eléctricas mal cuidadas.
- **Mantenga las herramientas de corte afiladas y limpias.** Las herramientas de corte bien cuidadas y con bordes bien afilados, tienen menos probabilidad de atascarse en la pieza de trabajo y son más fáciles de controlar.
- **Use la herramienta eléctrica, los accesorios, las brocas, etc. según estas instrucciones, teniendo en cuenta las condiciones de trabajo y la tarea que se va a realizar.** Si se utiliza la herramienta eléctrica para operaciones diferentes de las indicadas podría originar una situación peligrosa.
- **Mantenga los mangos y superficies de agarre limpias y libres de aceite y grasa.** Los mangos y superficies de agarre resbalosas no permiten la manipulación y control seguro de la herramienta en situaciones inesperadas.

## EMPLEO Y CUIDADO DE LA HERRAMIENTA DE BATERÍAS

- **Sólo cargue el paquete de baterías con el cargador especificado por el fabricante.** Un cargador adecuado para un tipo paquete de baterías puede significar un riesgo de incendio si se emplea con un paquete de baterías diferente.
- **Utilice las herramientas eléctricas sólo con los paquetes de baterías específicamente indicados.** El empleo de paquetes de baterías diferentes puede presentar un riesgo de incendio.
- **Cuando no esté utilizándose el paquete de baterías, manténgalo lejos de otros objetos metálicos, como clips, monedas, llaves, clavos, tornillos o otros objetos metálicos, pequeños que puedan establecer conexión entre ambas terminales.** Establecer una conexión directa entre las dos terminales de las baterías puede causar quemaduras o incendios.
- **Si se maltratan las baterías, puede derramarse líquido de las mismas; evite todo contacto con éste. En caso de contacto, lávese con agua. Si el líquido llega a tocar los ojos, además busque atención médica.** El líquido de las baterías puede causar irritación y quemaduras.
- **No utilice un paquete de baterías o una herramienta que esté dañado o modificado.** Las baterías dañadas o modificadas pueden tener un funcionamiento impredecible que provoque incendios, explosiones o riesgo de lesiones.
- **No exponga el paquete de baterías o una herramienta al fuego o a temperaturas excesivas.** La exposición al fuego o a temperatura sobre los 130 °C (265 °F) puede provocar explosiones.
- **Siga todas las instrucciones de carga y no cargue el paquete de baterías ni la herramienta fuera del rango de temperaturas especificado en las instrucciones.** Si realiza la carga en forma incorrecta o fuera de las temperaturas del rango especificado puede dañar la batería y aumentar el riesgo de incendios.

## SERVICIO

- **Permita que un técnico de reparación calificado preste servicio a la herramienta eléctrica, y sólo con piezas de repuesto idénticas.** De esta manera se mantiene la seguridad de la herramienta eléctrica.
- **Nunca repare paquetes de baterías dañados.** La reparación de paquetes de baterías solo puede ser realizada por el fabricante o proveedores de servicio autorizados.

# ADVERTENCIAS DE SEGURIDAD PARA TALADRO-DESTORNILLADOR

## INSTRUCCIONES DE SEGURIDAD PARA TODAS LAS OPERACIONES

- **Sujete las herramientas eléctricas por las superficies aisladas de sujeción al efectuar una operación en la cual el accesorio de corte o los sujetadores pueda entrar en contacto con cables ocultos.** Todo contacto de una herramienta con un cable cargado carga las piezas metálicas expuestas de la herramienta y da una descarga eléctrica al operador.

## INSTRUCCIONES DE SEGURIDAD PARA USAR BROCAS DE TALADRO LARGAS

- **Nunca use la unidad a velocidades más altas que la calificación de velocidad máxima de la broca para taladro.** A velocidades más altas, es posible que la broca se doble si se le permite girar de forma libre sin hacer contacto con la pieza de trabajo, lo que puede resultar en lesiones personales.
- **Siempre empiece a taladrar a una velocidad baja, asegurándose de que la punta de la broca haga contacto con la pieza de trabajo.** A velocidades más altas, es posible que la broca se doble si se le permite girar de forma libre sin hacer contacto con la pieza de trabajo, lo que puede resultar en lesiones personales.
- **Aplique presión solamente en línea directa con la broca y no lo haga de forma excesiva.** Las brocas pueden doblarse, romperse y causar la pérdida de control, lo que puede causar lesiones personales.

## INSTRUCCIONES DE SEGURIDAD ADICIONALES




- **Familiarícese con su herramienta eléctrica. Lea cuidadosamente el manual del operador. Aprenda sus usos y limitaciones, así como los posibles peligros específicos de esta herramienta eléctrica.** Con el cumplimiento de esta regla se reduce el riesgo de una descarga eléctrica, incendio o lesión seria.
- **Siempre use protección ocular con laterales protectores con la marca de cumplimiento con la norma ANSI Z87.1 al ensamblar piezas, utilizar la herramienta o llevar a cabo tareas de mantenimiento.** Con el cumplimiento de esta regla se reduce el riesgo de lesiones corporales serias.
- **Protéjase los pulmones. Use una careta o mascarilla contra el polvo si la operación genera mucho polvo.** Con

el cumplimiento de esta regla se reduce el riesgo de lesiones serias.






- **Protéjase los oídos. Durante períodos prolongados de utilización del producto, póngase protección para los oídos.** Con el cumplimiento de esta regla se reduce el riesgo de lesiones corporales serias.
- **No se necesita conectar a una toma de corriente las herramientas de baterías; por lo tanto, siempre están en condiciones de funcionamiento. Esté consciente de los posibles peligros cuando no esté usando la herramienta de baterías o cuando esté cambiando los accesorios de la misma.** Con el cumplimiento de esta regla se reduce el riesgo de una descarga eléctrica, incendio o lesión corporal seria.
- **No coloque herramientas de baterías ni las baterías mismas cerca del fuego o del calor.** De esta manera se reduce el riesgo de explosiones y de lesiones.
- **No aplaste, deje caer o dañe de baterías. Nunca utilice una batería o cargador que se ha caído, aplastado, recibido un golpe contundente o ha sido dañado(a) de alguna manera.** Las baterías dañadas pueden sufrir explosiones. Deseche de inmediato toda batería que haya sufrido una caída o cualquier daño.
- **Las baterías pueden explotar en presencia de fuentes de inflamación, como los pilotos de gas.** Para reducir el riesgo de lesiones serias, nunca use un producto inalámbrico en presencia de llamas expuestas. La explosión de una batería puede lanzar fragmentos y compuestos químicos. Si ha quedado expuesto a la explosión de una batería, lávese de inmediato con agua.
- **No cargue herramientas de baterías en lugares mojados o húmedos. No lo utilice, guarde o cargue la paquete de baterías o la unidad en lugares donde la temperatura sea inferior a 10 °C (50 °F) o superior a 38 °C (100 °F).** No guarde la herramienta a la intemperie ni en el interior de vehículos.
- **En condiciones extremas de uso o temperatura las baterías pueden emanar líquido. Si el líquido llega a tocarle la piel, lávese de inmediato con agua y jabón. Si le entra líquido en los ojos, láveselos con agua limpia por lo menos 10 minutos, y después busque de inmediato atención médica.** Con el cumplimiento de esta regla se reduce el riesgo de lesiones corporales serias.
- **Guarde estas instrucciones.** Consúltelas con frecuencia y empléelas para instruir a otras personas que puedan utilizar esta herramienta. Si presta a alguien esta herramienta, facilítele también las instrucciones.

# SÍMBOLOS

Las siguientes palabras de señalización y sus significados tienen el objeto de explicar los niveles de riesgo relacionados con este producto.

SÍMBOLO	SEÑAL	SIGNIFICADO
	<b>PELIGRO:</b>	Indica una situación peligrosa, la cual, si no se evita, causará la muerte o lesiones serias.
	<b>ADVERTENCIA:</b>	Indica una situación peligrosa, la cual, si no se evita, podría causar la muerte o lesiones serias.
	<b>PRECAUCIÓN:</b>	Indica una situación peligrosa, la cual, si no se evita, podría causar lesiones menores o leves.
	<b>AVISO:</b>	(Sin el símbolo de alerta de seguridad) Indica la información que se considera importante, pero no relacionada con lesiones potenciales (por ej. en relación a daños a la propiedad).

Es posible que se empleen en este producto algunos de los siguientes símbolos. Le suplicamos estudiarlos y aprender su significado. Una correcta interpretación de estos símbolos le permitirá utilizar mejor y de manera más segura el producto.

SÍMBOLO	NOMBRE	DENOMINACIÓN/EXPLICACIÓN
	Alerta de seguridad	Indica un peligro posible de lesiones personales.
	Lea el manual del operador	Para reducir el riesgo de lesiones, el usuario debe leer y comprender el manual del operador antes de usar este producto.
	Protección ocular	Siempre póngase protección ocular con protección lateral con la marca de cumplimiento de la norma ANSI Z87.1.
	Alerta de condiciones húmedas	No exponga la unidad a la lluvia ni la use en lugares húmedos.
	Símbolo de reciclado	Este producto utiliza baterías de iones de litio (Li-ion). Es posible que algunas leyes municipales, estatales o federales prohíban desechar las baterías en la basura normal. Consulte a las autoridades reguladoras de desechos para obtener información en relación con las alternativas de reciclado y desecho disponibles.
V	Volts	Voltaje
min	Minutos	Tiempo
==	Corriente continua	Tipo o característica de corriente
$n_0$	Velocidad en vacío	Velocidad de rotación, en vacío
.../min	Por minuto	Revoluciones, carreras, velocidad superficial, órbitas, etc., por minuto

# ARMADO

## ADVERTENCIA:

No use este producto si no está totalmente ensamblado o si alguna pieza falta o está dañada. El uso de un producto que no está adecuadamente y completamente ensamblado o posee partes dañadas o faltantes puede resultar en lesiones personales graves.

## ADVERTENCIA:

No intente modificar este producto ni crear aditamentos o accesorios que no estén recomendados para usar con este producto. Dichas alteraciones o modificaciones constituyen un uso indebido y podrían provocar una situación de riesgo que cause posibles lesiones personales graves.

Si hay piezas dañadas o faltantes, le suplicamos llamar al 1-800-525-2579, donde le brindaremos asistencia. En México, llame al 800-843-1111.

# FUNCIONAMIENTO

## ADVERTENCIA:

No permita que su familiarización con las herramientas lo vuelva descuidado. Tenga presente que un descuido de un instante es suficiente para causar una lesión grave.

## ADVERTENCIA:

Siempre retire el paquete de baterías de la herramienta cuando esté ensamblando partes, realizando ajustes, limpiando o cuando ésta no esté en uso. Retirando el paquete de baterías se evita arrancar accidentalmente la unidad, lo cual puede causar lesiones serias.

## ADVERTENCIA:

Siempre póngase protección ocular con protección lateral con la marca de cumplimiento de la norma ANSI Z87.1. Si no cumple esta advertencia, los objetos que salen despedidos pueden producirle lesiones serias en los ojos.

## ADVERTENCIA:

No utilice ningún aditamento o accesorio no recomendado por el fabricante de este producto. El empleo de aditamentos o accesorios no recomendados podría causar lesiones serias.

## APLICACIONES

Este producto puede emplearse para los fines siguientes:

- Taladrado productos de madera (madera aserrada, madera contrachapada, paneles, madera compuesta y madera dura), cerámica, plásticos, fibra de vidrio y material laminado, y metales; Enroscar tornillos con puntas de destornillador

## PRECAUCIÓN:

Este taladro no está diseñado para mezclar concreto, yeso, lechada u otros tipos similares de mezclas viscosas. Si no sigue esta precaución, podría obtener un rendimiento deficiente, sufrir posibles lesiones y anulará la garantía.

## GATILLO DEL INTERRUPTOR DE VELOCIDAD VARIABLE

*Vea la figura 1, página 9.*

El gatillo de velocidad variable produce mayor velocidad cuanto mayor presión se aplica en el gatillo, y menor velocidad cuanto menor presión se aplica en el mismo.

Para **ENCENDER** el taladro, oprima el gatillo del interruptor. Para **DETENER** el taladro, suelte el gatillo del interruptor y permita que se detenga completamente el portabrocas.

**NOTA:** Un silbido o zumbido que viene del interruptor durante el uso es una parte normal de la función del interruptor.

**NOTA:** Si se hace funcionar el taladro a baja velocidad en uso constante puede recalentarse. Si ocurre tal situación, enfríe el taladro poniéndolo a funcionar en vacío y a toda velocidad.

## SELECTOR DE SENTIDO DE ROTACIÓN (MARCHA ADELANTE/ATRÁS/SEGURO EN EL CENTRO)

*Vea la figura 1, página 9.*

Ajuste el selector de sentido de rotación en la posición de **APAGADO** (seguro en el centro) para bloquear el gatillo del interruptor y ayudar a prevenir un arranque accidental cuando no esté en uso.

Ubique el selector de sentido de rotación a la izquierda del gatillo del interruptor para taladrar hacia adelante. Ubique el selector a la derecha del gatillo del interruptor para taladrar hacia atrás.

**NOTA:** El taladro no funciona a menos que se empuje el selector de dirección de giro completamente a la izquierda o derecha.

## AVISO:

Para evitar dañar el engranaje, antes de cambiar el sentido de rotación siempre permita que se detenga completamente el portabrocas.

## ADVERTENCIA:

Las herramientas de baterías siempre están en condiciones de funcionamiento. Bloquee el interruptor cuando no esté en uso o lo lleve a su lado, al instalar o extraer el paquete de baterías y al instalar o extraer brocas.

# FUNCIONAMIENTO

## INSTALACIÓN/DESMONTAR DEL PAQUETE DE BATERÍAS

Vea la figura 2, página 9.

- Bloquee el gatillo del interruptor.
- Coloque el paquete de baterías en el producto como se muestra.
- Asegúrese de que los pestillos situados a ambos lados del paquete de baterías entren completamente en su lugar con un chasquido y de que el paquete quede bien asegurado en la herramienta antes de comenzar a utilizarla.
- Oprima los pestillos para extraer el paquete de baterías.

Para obtener instrucciones específicas de carga, lea el manual del operador que se incluye con el cargador y la batería.

## INSTALACIÓN/DESMONTAR DE LAS BROCAS

Vea las figuras 3 y 4, página 9.

Las flechas en el portabrocas sin llaves indican en qué dirección girar el mango del portabrocas para apretar o soltar la broca.

No utilice ninguna llave para apretar o aflojar las manga del portabrocas.

- **Para instalar las brocas**, bloquee el gatillo del interruptor.
- Abra o cierre las mordazas del portabrocas a tal punto que la abertura sea levemente más grande que la broca deseada.
- Levante la parte delantera del taladro ligeramente e inserte la broca.



### ADVERTENCIA:

Asegúrese de introducir la broca recta en las mordazas del portabrocas. No introduzca en ángulo la broca en las mordazas del portabrocas para después apretarla. Podría causar que la broca salga disparada del taladro, y por consecuencia, posibles lesiones corporales serias, o daños al portabrocas.

- Rote la manga del portabrocas para cerrar y ajustar las mordazas del portabrocas.



### ADVERTENCIA:

No sujete el mango del portabrocas con una mano para usar la potencia del taladro con el fin de apretar la broca en las mordazas. El mango del portabrocas podría resbalarse en la mano, o la mano misma podría resbalarse y llegar a tocar la broca girante. Esto podría causar un accidente, y como consecuencia lesiones corporales serias.

- **Para extraer las brocas**, bloquee el gatillo del interruptor y abra las mordazas del portabrocas.

## TREN DE ENGRANAJES DE DOS VELOCIDADES

Vea la figura 5, página 9.

- Seleccione velocidad baja (low) **(1)** para aplicaciones que requieran más potencia y par de torsión, como colocar tornillos y taladrar en metal.
- Seleccione la velocidad alta (high) **(2)** para aplicaciones rápidas con taladro o destornillador y para taladrar en madera o mampostería.

### AVISO:


Nunca cambie de gama de velocidad mientras esté funcionando la herramienta. El incumplimiento de esta precaución puede producir daños serios en el taladro.

**NOTA:** Si tiene dificultades para cambiar de una gama de velocidad a la otra, gire con la mano el portabrocas hasta que embraguen los engranajes.

## AJUSTE DE LA FUERZA DE TORSIÓN

Vea la figura 6, página 9.

Gire el anillo de ajuste a la configuración de torsión adecuada para el tipo de material y tamaño de tornillo que está utilizando.

- 1 a 4 Para enroscar tornillos pequeños
- 5 a 8 Para enroscar tornillos en material blando
- 9 a 12 Para enroscar tornillos en material blando o duro
- 13 a 16 Para enroscar tornillos en madera dura
- 17 a 23 Para enroscar tornillos grandes
-  Para taladrado pesado

## TALADRADO/INTRODUCCIÓN DE TORNILLOS

Vea la figura 7, página 9.

- Revise el selector de sentido de rotación para ver si está en la posición correcta (marcha adelante o atrás).
- Use velocidad baja (low) **(1)** para aplicaciones de alta fuerza de torsión y velocidad alta (high) **(2)** para aplicaciones rápidas de taladrado o con destornilladores. Consulte tren de **Tren de engranajes de dos velocidades** y **Ajuste de la fuerza de torsión**.
- Asegure la pieza de trabajo en una prensa o con abrazaderas para evitar que rote a medida que la broca gira.
- Sostenga firmemente el taladro y coloque la broca en el punto a taladrar o donde se colocará el tornillo.



### ADVERTENCIA:

No introduzca tornillos donde pudiera haber cables ocultos detrás de la superficie. Todo contacto de una herramienta con un cable cargado carga las piezas metálicas expuestas de la herramienta y da una descarga eléctrica posiblemente al operador. Si debe introducir tornillos donde pudiera haber cables ocultos, siempre sujete la herramienta por las superficies aisladas de sujeción (mango) al efectuar una operación para evitar una descarga eléctrica al operador.

# FUNCIONAMIENTO

- Oprima el gatillo del interruptor para encender el taladro.
- Introduzca la broca en la pieza de trabajo, aplicando la presión suficiente para mantener el corte de la broca. No fuerce el taladro ni aplique presión lateral para ovalar el orificio. Permita que la producto realice el trabajo.



## ADVERTENCIA:

Al taladrar, esté preparado por si se atasca la broca al traspasar la pieza de trabajo. Cuando ocurren estas situaciones, el taladro presenta una tendencia a trabarse y dar un contragolpe en la dirección opuesta, y podría causar una pérdida de control al perforar el material. Si usted no está preparado, esta pérdida de control podría ser causa de lesiones serias.

- Al taladrar superficies lisas y duras, use un punzón para marcar la ubicación deseada del orificio. De esta manera se evita que la broca se desplace del centro al iniciar la perforación.
- Si se atora la broca en la pieza de trabajo, o si se detiene el taladro, apague de inmediato la producto. Retire la broca de la pieza de trabajo y determine la razón causante del atoramiento.

**NOTA:** Este taladro dispone de un freno eléctrico. Al soltarse el gatillo del interruptor, el portabrocas cesa de girar. Cuando el freno funciona correctamente, se observan chispas a través de las ranuras de ventilación del alojamiento del motor. Esto es normal y es la acción del freno.

**NOTA:** Si una operación origina demasiado polvo, se recomienda aspirar el área con frecuencia.

## TALADRADO EN MADERA Y METAL

Para obtener un desempeño óptimo de la unidad, utilice brocas de acero de alta velocidad para taladrado en madera o en metal. Seleccione el modo de taladrado. Comience a taladrar a una velocidad muy baja para impedirle a la broca abandonar el punto inicial.

### Taladrado en madera

- Aumente la velocidad a medida que la broca penetra en el material.
- Al taladrar orificios de lado a lado, coloque un bloque de madera detrás de la pieza de trabajo para evitar producir orillas deshilachadas o astilladas en la parte posterior del orificio.

### Taladrado en metal y acero

- Aplique aceite de baja viscosidad en la broca para evitar el recalentamiento de la misma. El aceite prolonga la vida de servicio de la broca y aumenta la eficacia de la operación de taladrado.
- Mantenga una velocidad y una presión tales que permitan taladrar sin recalentar la broca. Si se aplica demasiada presión:
  - Se recalienta el taladro;
  - Se gastan los cojinetes;
  - Se doblan o queman las brocas; y
  - Se producen orificios descentrados o de forma irregular.
- Al taladrar agujeros grandes en metal, comience con una broca pequeña y luego termine con una grande.

# MANTENIMIENTO



## ADVERTENCIA:

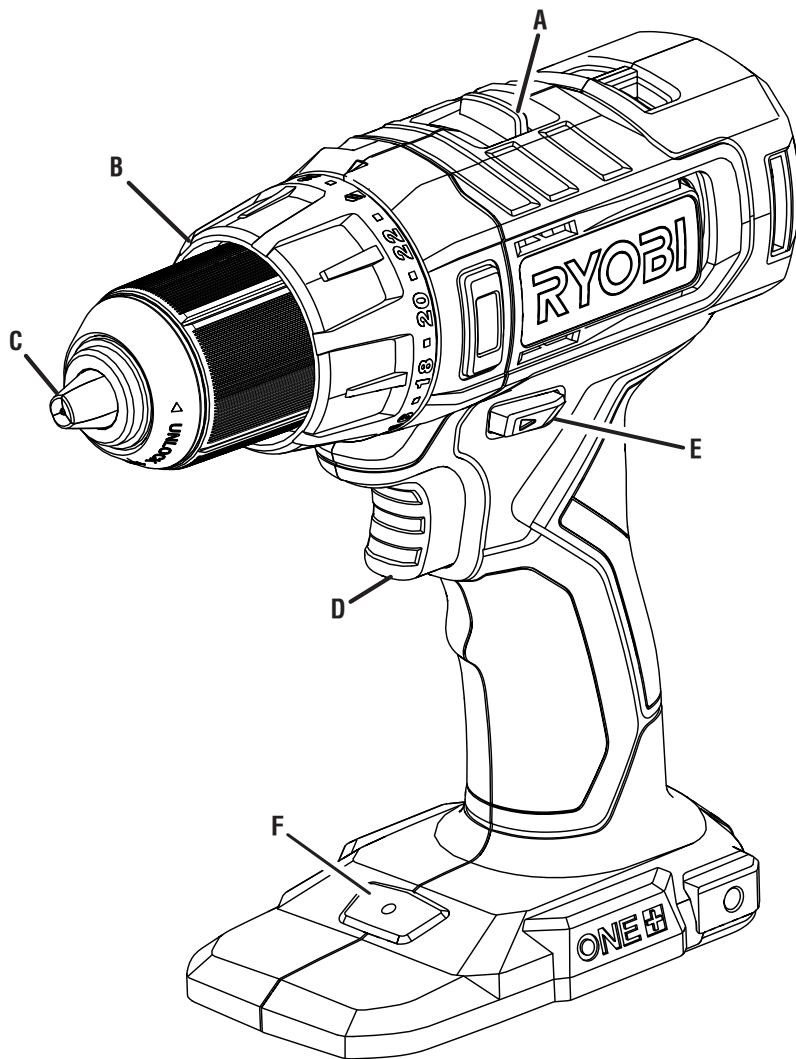
Al dar servicio a la unidad, sólo utilice piezas de repuesto idénticas. El empleo de piezas diferentes podría causar un peligro o dañar el producto.

## MANTENIMIENTO GENERAL

Evite el empleo de solventes al limpiar piezas de plástico. La mayoría de los plásticos son susceptibles a diferentes tipos de solventes comerciales y pueden resultar dañados. Utilice paños limpios para eliminar la suciedad, el polvo, el aceite, la grasa, etc.



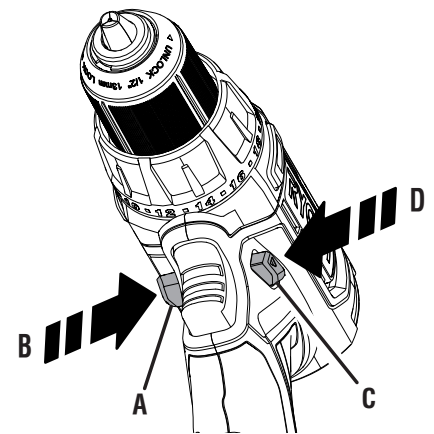




- A - Two-speed gear train (high-low) (réducteur à deux vitesses (élevé/faible), engranaje de dos velocidades [alta-baja])
- B - Torque adjustment ring (bague de réglage du couple, anillo de ajuste de fuerza de torsión)
- C - Keyless chuck (mandrin sans clé, portabrocas de apriete sin llave)
- D - Variable speed switch trigger (gâchette de commande de vitesse variable, gatillo del interruptor velocidad variable)

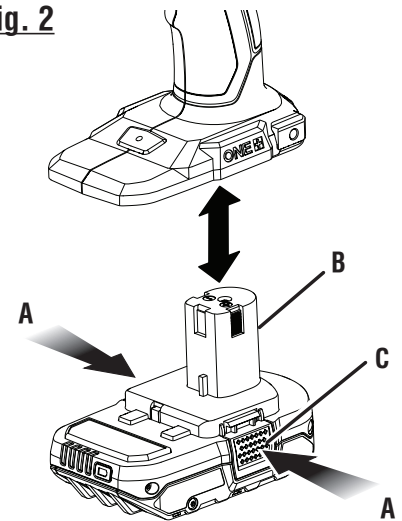
- E - Direction of rotation selector (forward/reverse/center lock) [sélecteur de sens de rotation (avant/arrière/verrouillage/position centrale), selector de sentido de rotación (marche adelante / marche atrás /seguro en el centro)]
- F - LED light (lampes à del, luz de trabajo de diodo luminiscente)

**Fig. 1**



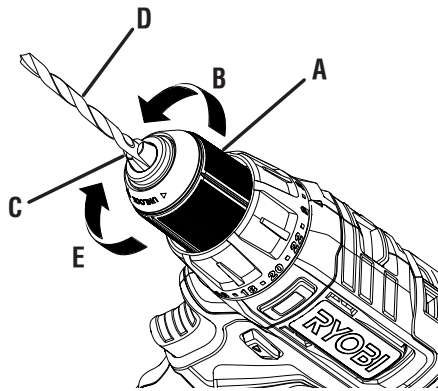
- A - Direction of rotation selector (sélecteur de sens de rotation, selector de sentido de rotación)
- B - Forward (avant, marcha adelante)
- C - Switch trigger (gâchette de commande, gatillo del interruptor)
- D - Reverse (arrière, marcha atrás)

**Fig. 2**



- A - Depress latches to release battery pack (appuyer sur les loquets pour libérer le bloc-piles, para soltar el paquete de baterías oprima los pestillos)
- B - Battery pack (bloc-piles, paquete de baterías)
- C - Latches (loquets, pestillos)

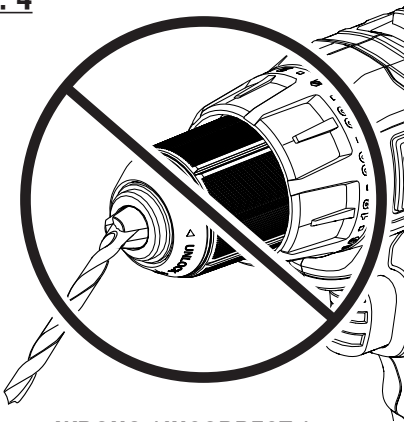
**Fig. 3**



**RIGHT / CORRECT / FORMA CORRECTA**

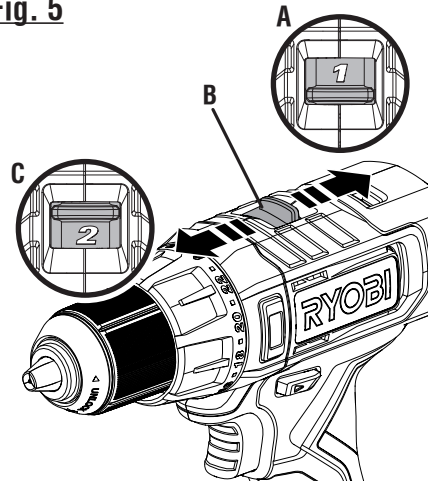
- A - Keyless chuck (mandrin sans clé, portabrocas de apriete sin llave)
- B - Unlock (release) [unlock (desserer), unlock (desasegurar)]
- C - Chuck jaws (mors du mandrin, mordazas del portabrocas)
- D - Drill bit (embout, broca)
- E - Lock (tighten) [lock (serrer), lock (asegurar)]

**Fig. 4**



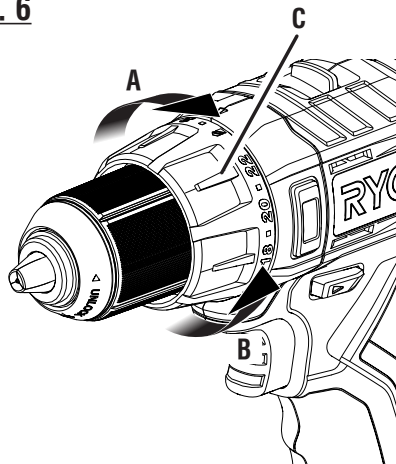
**WRONG / INCORRECT / FORMA INCORRECTA**

**Fig. 5**



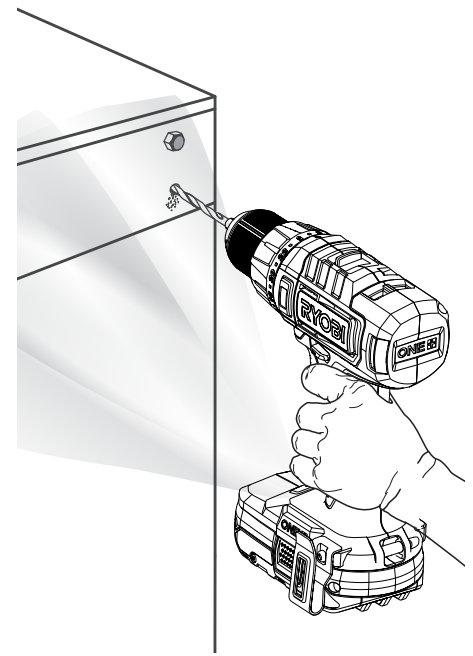
- A - Low speed (1) [basse vitesse (1), baja velocidad (1)]
- B - Two-speed gear train (high-low) [train d'engrenages à deux vitesses (haute et basse), engranaie de dos velocidades (alta-baja)]
- C - High speed (2) [haute vitesse (2), alta velocidad (2)]

**Fig. 6**



- A - To decrease torque (pour réduire le couple, para disminuir la fuerza de torsión)
- B - To increase torque (pour augmenter le couple, para aumentar la fuerza de torsión)
- C - Torque adjustment ring (bague de réglage du couple, anillo de ajuste de fuerza de torsión)

**Fig. 7**





**OPERATOR'S MANUAL/18 VOLT 1/2 in. 2-SPEED DRILL-DRIVER**  
**MANUEL D'UTILISATION/P18 V 13 mm (1/2 po)**  
**PERCEUSE-TOURNEVIS 2 VITESSES**  
**MANUAL DEL OPERADOR/TALADRO-DESTORNILLADOR**  
**DE 18 V 13 mm (1/2 pulg.) 2 VELOCIDADES**  
**PCL206**

To request service, purchase replacement parts,  
locate an Authorized Service Center or obtain Customer or Technical Support:  
Visit **www.ryobitools.com** or call **1-800-525-2579**

If any parts or accessories are damaged or missing, do not return this product to the store.  
Call **1-800-525-2579** for immediate service.

Please obtain your model and serial number from the product data plate.  
**This product is covered under a 3-year limited Warranty. Proof of purchase is required.**

MODEL NUMBER\* \_\_\_\_\_ SERIAL NUMBER \_\_\_\_\_

*\*Model number on product may have additional letters at the end. These letters designate manufacturing information and should be provided when calling for service.*

RYOBI is a trademark of Ryobi Limited and is used pursuant to a license granted by Ryobi Limited.

Pour faire une demande de réparations ou obtenir des pièces de rechange, trouver un  
Centre de réparations agréé pour obtenir un soutien technique ou le Service à la clientèle :  
Visiter **www.ryobitools.com** ou en téléphonant au **1-800-525-2579**

Si des pièces ou accessoires sont manquantes ou endommagées, ne pas retourner  
ce produit au magasin. Appeler immédiatement au **1-800-525-2579** pour obtenir de l'aide.

Inscrire les numéros de modèle et de série inscrits sur la plaque d'identification du produit.  
**Ce produit est couvert par une garantie limitée de trois (3) ans. Une preuve d'achat est exigée.**

NUMÉRO DE MODÈLE\* \_\_\_\_\_ NUMÉRO DE SÉRIE \_\_\_\_\_

*\*Le numéro de modèle sur le produit peut contenir des lettres supplémentaires à la fin. Ces lettres désignent les informations du fabricant et doivent être fournies lors d'un appel de demande de service.*

RYOBI est une marque de Ryobi Limited et est utilisée en vertu d'une licence accordée par Ryobi Limited.

Para obtener servicio, comprar piezas de repuesto, localizar un centro de servicio autorizado  
y obtener Servicio o Asistencia Técnica al Consumidor:

Visite **www.ryobitools.com** (en la EE.UU.) o **www.ryobitools.mx** (en México)  
o llame al **1-800-525-2579** (en la EE.UU.) o **800-843-1111** (en México).

Si hay alguna pieza o accesorios dañada o faltante, no devuelva este producto a la tienda.  
Llame al **1-800-525-2579** (en la EE.UU.) o **800-843-1111** (en México) para servicio técnico inmediato.

Obtenga su modelo y número de serie de la placa de datos del producto.  
**Este producto está cubierto con una garantía limitada de 3 años. Se solicita prueba de la compra.**

NÚMERO DE MODELO\* \_\_\_\_\_ NÚMERO DE SERIE \_\_\_\_\_

*\*El número de modelo que figura en el producto podría tener letras adicionales al final. Estas designan información de fabricación y deben suministrarse cuando llame para obtener asistencia o servicio.*

RYOBI es una marca de Ryobi Limited y se utiliza conforme a una licencia otorgada por Ryobi Limited.

**TTI CONSUMER POWER TOOLS, INC.**

P.O. Box 1288, Anderson, SC 29622 • Phone 1-800-525-2579  
États-Unis, Téléphone 1-800-525-2579 • USA, Teléfono 1-800-525-2579

**www.ryobitools.com**